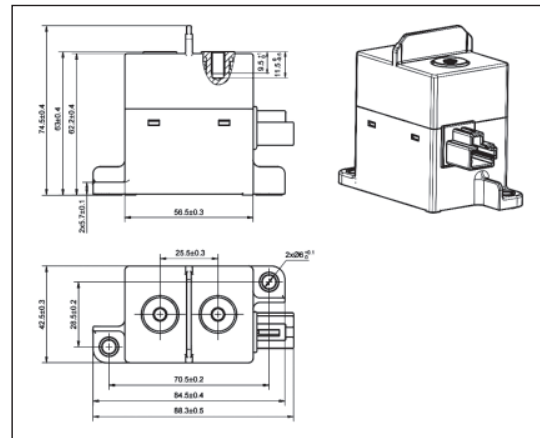


SHEV250 陶瓷密封高压直流接触器

Ceramic Seal HIGH VOLTAGE DC CONTACTOR

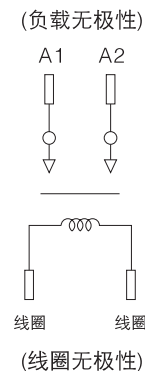


外形及安装尺寸 Outline and Dimensions:



基板加工		
主触点接线柱安装	规格	M6
	是否提供	提供
扭力范围	接触器底座	3~4Nm
	主触点接线柱	6~8Nm

接线示意图 Wiring diagram:



产品特点 Product features:

- 体积小、重量轻，带电能力400A以上，直流450V下最大可切换电流2000A。
Small size, light weight, charging capacity above 400A, DC 450V maximum switching current 2000A.
- 采用激光焊接技术对产品内部进行全密封，保护线圈和触点系统长时间不氧化，安全性高。
The product is completely sealed for inner part by using Laser welding and sealing technology, which protects the coil and contact system from oxidation for a long time and has high safety.
- 采用永磁体磁吹灭弧的技术，产品可靠性高。
The technology of permanent magnet arc extinguishing is adopted to ensure high reliability.
- 执行标准：GB/T14048.4-2010
Implementation criteria:GB/T14048.4-2010

应用范围Application:

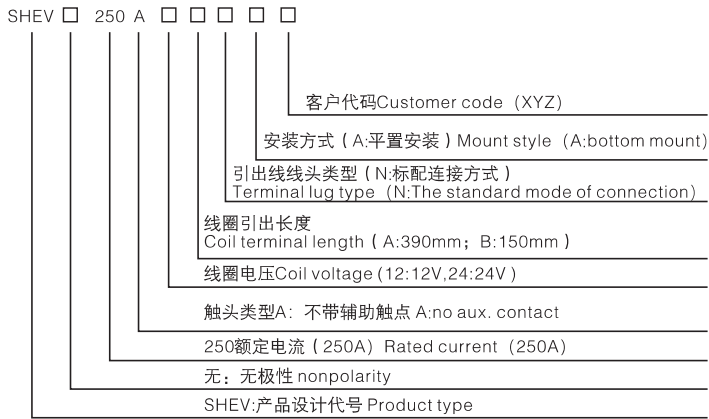
新能源汽车的高压主回路、预充电回路、慢充电路、快充电路、高压辅助系统等；充电桩的高压主回路系统；风电，光伏等电力控制系统。
Mainly used in high voltage main circuit, pre-charge circuit, slow charging circuit, fast charging circuit, high voltage auxiliary system of electromobile, as well as high voltage main circuit system in charging pile, power control system of wind power, photovoltaic.

SHEV250 陶瓷密封高压直流接触器

Ceramic Seal HIGH VOLTAGE DC CONTACTOR



■ 型号解释 Type introduction:



■ 线圈工作电压 Coil operating voltage:

序号 Item	工作电压 Nominal Voltage	12VDC
1	最大电压 Voltage (Max.)	16VDC
2	最大吸合电压 Pickup (close) Voltage Max.	9VDC
3	最小保持电压 Hold Voltage (Min.)	6VDC
4	最小释放电压 Dropout (open) Voltage (Min.)	1.2VDC
5	线圈功率 The power consumption of the coil (20°C)	6W

■ 性能参数 Performance parameter:

类别	参数Paramaters	单位Units	值Values
主触点Main contactor	主触点, 触点形式 Contact Arrangement, Main Contacts	/	一组桥式常开 (双动合触点) 无极性 1 Form X (SPST NO DM) non - polar
	工作电压范围 Rated Operating Voltage	VDC	12-1000
	450VDC下断开电流 Break Current at 450VDC	A	2000, 1次 (Cycle)
	标准接触电阻 (300A时) Standard contact resistance (@300A)	mΩ	≤0.5
	介质耐电压 Dielectric withstanding voltage	VAC	2500, (5mA, 60s)
	直流1000V下绝缘电阻 At DC 1000V insulation resistance	MΩ	≥100
寿命life	负载寿命 Load life	(250A/450V) (250A/750V)	cycle 1300 700
	机械寿命 Mechanical life	cycle	2*10 ⁵
吸合/释放 operate/ release	吸合时间 (包括触点弹跳) Operate time (includes bounce)	ms	≤30
	释放时间 Release time	ms	≤10
环境Environment	冲击, 11ms, 1/2正弦波, 峰值, 吸合 Shock, 11ms, 1/2 Sine, Peak, operating	G	20
	振动, 正弦波, 80-2000Hz, 峰值 Vibration, Sine, 80-2000Hz, Peak	G	5
	工作温度 Operating Ambient Temperature	°C	-40 ~ +85
	标准重量 Weight, Nominal	g	≤360