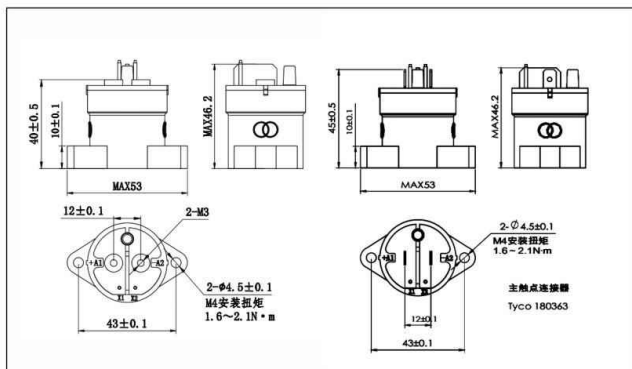


# SEV10/SEVI10 高压直流接触器 HIGH VOLTAGE DC CONTACTOR



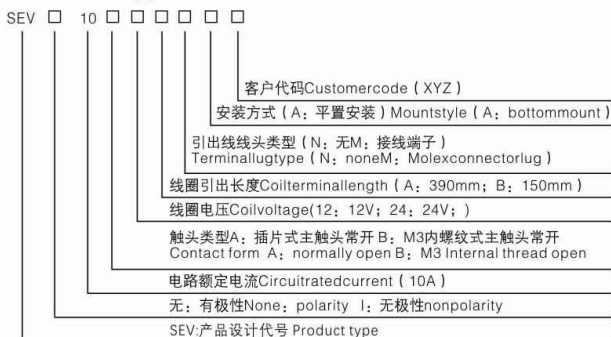
## 外形及安装尺寸 Outline and Dimensions:



## 产品特点 Product features:

- 全密封结构，安全性高。  
Full seal construction, high safety
- 线圈电压：12 和 24 Vdc。  
Coil voltage: 12、24 Vdc。
- 体积小，切换功率大。  
Small size, high switching power
- 采用环氧灌封密封技术对产品内部进行全密封，保护线圈和触点系统长时间不氧化。  
Full sealed inside by epoxy encapsulation technology to insure coil and contactor against being oxidized for long time
- 采用永磁体磁吹灭弧的技术，产品可靠性高。  
use permanent magnet to eliminate electric arc, high reliability
- 执行标准：GB/T 14048.4-2010  
Implementation criteria: GB/T 14048.4-2010
- 认证：CCC 编号 2019010304167727  
Certification: CCC number 2019010304167727

## 型号解释 Type introduction:



## 应用范围 Application:

新能源汽车的高压主回路、预充电回路、慢充电路、快充电路、高压辅助系统等；充电桩的高压主回路系统；风电，光伏等电力控制系统。

Mainly used in high voltage main circuit, pre-charge circuit, slow charging circuit, fast charging circuit, high voltage auxiliary system of electromobile, as well as high voltage main circuit system in charging pile, power control system of wind power, photovoltaic.

## 线圈工作电压 Coil operating voltage:

序号 Item	工作电压 Nominal Voltage	12VDC	24VDC
1	最大电压 Voltage (Max.)	16VDC	28VDC
2	最大吸合电压 Pickup (close) Voltage (Max.)	9VDC	18VDC
3	最小释放电压 Dropout (open) Voltage (Min.)	1.0VDC	2.0VDC
4	线圈电流 Coil Current	267mA	133mA
5	线圈功耗 Coil Power (20°C)	3.5W	3.5W
6	线圈电阻 Coil Resistance (20°C) ± 5% Ω	45	180

# SEV10/SEVI10 高压直流接触器 HIGH VOLTAGE DC CONTACTOR

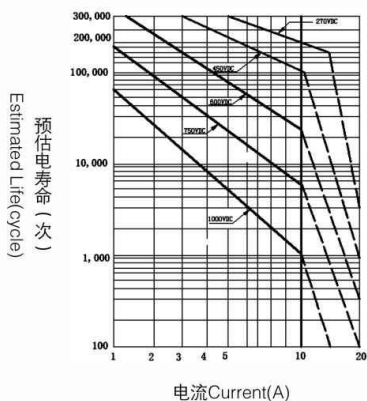


## 性能参数 Performance parameter:

类别	参数Parameters	单位Units	值Values
主触点 Main contactor	主触点, 触点形式 Contact Arrangement, Main Contacts	/	一组桥式常开 (双动合触点) 1 Form X ( SPST NO DM )
	工作电压范围 Rated Operating Voltage	VDC	12-1000
	过电流 overcurrent	A	20A 180S / 30A 120S
	320VDC下断开电流 Break Current at 320VDC	A	100, 1次 ( Cycle )
	标准接触电阻 ( 10A时 ) Contact Resistance, Typ. ( @10A)	mΩ	≤5
	介质耐电压 Dielectric Withstanding Voltage	VAC	2500, ( 5mA, 60s )
	直流1000V下绝缘电阻 Insulation Resistance @ 1000VDC	MΩ	≥100
寿命 Life	负载寿命 Load life	10A/450V	7*10 <sup>4</sup>
		10A/750V	2*10 <sup>3</sup>
		10A/1000V	10 <sup>3</sup>
	机械寿命 Mechanical life	cycle	2*10 <sup>6</sup>
吸入/释放 pick up/ release	吸入时间 ( 包括触点弹跳 ) Close ( includes bounce ), Typ. )	ms	≤20
	释放时间 Release ( includes arcing ), Max	ms	≤5
环境 Environment	冲击, 11ms, 1/2正弦波, 峰值, 吸入 Shock, 11ms, 1/2 Sine, Peak, operating	G	50
	振动, 正弦波, 80-2000Hz, 峰值 Vibration, Sine, 80-2000Hz, Peak	G	20
	工作温度 Operating Ambient Temperature	°C	-40 ~ +85
	标准重量 Weight, Nominal	g	≤105

## 产品通、断电寿命预估 Product life estimated (make/break):

1. 阻性负载下产品通、断电寿命预估次数曲线  
Product life estimated (make/break) curve under resistive load



2. 持续通电流能力 Continuous current range

