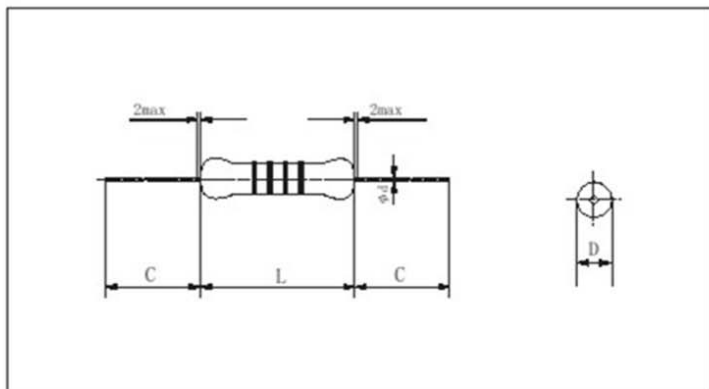


RI40

high value thick film resistors



Construction(mm)



Features

- Low noise, high temperature resistant, moisture proof, shock withstanding
- High resistance value, high voltage
- Blue or grey coating colour circle marking
- Blister tape and lead forming

Dimensions(mm)

size	L _{max}	D _{max}	d _{±0.05}	C _{±3}
RI40-1/4W	7.0	2.5	0.6	25.0
RI40-1/2W	10.5	3.9	0.6/0.7	25.0
RI40-1W	14	5.5	0.8	33.0
RI40-2W	17	6.5	0.8	32.0

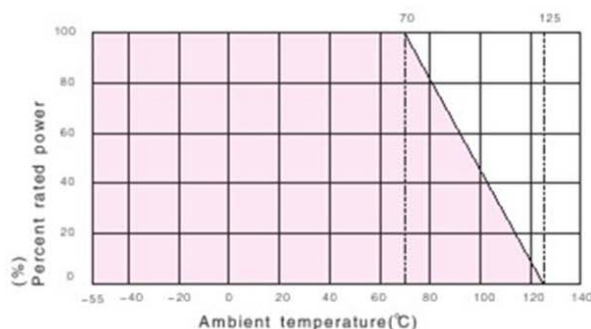
Applications

- all kinds of electrical equipments

Reference Standards

RI40; SJ 2867-88

Derating Curve



Technical Specifications

Type	(W) Rated Power	Resistance Range	Tolerance	TCR (ppm/°C)	Max Working Voltage (V)	Insulate Voltage (V)
RI40-1/4W	1/4	100KΩ ~ 10MΩ	± 5%	± 500	350	350
RI40-1/2W	1/2	100KΩ ~ 32MΩ			500	500
RI40-1W	1	100KΩ ~ 56MΩ	± 10%		700	700
RI40-2W	2	100KΩ ~ 100MΩ			700	700

Performance

Test Item	Specifications	Test Methods
Solderability	≥95%	235±5°C, 2±0.5s
Short Time Overload	$\Delta R \leq \pm (1\%R + 0.05\Omega)$	2.5V _R , 5s
Rapid temperature change	$\Delta R \leq \pm (1\%R + 0.05\Omega)$	-55°C, 30min/125°C, 30min 5cycles
Leaching	$\Delta R \leq \pm (1\%R + 0.05\Omega)$	350±10°C, 3.5±0.5s
Temperature cycling	$\Delta R \leq \pm (5\%R + 0.1\Omega)$	125°C, 16h/55°C, RH93±3%, 24h/ -55°C, 2h/15~35°C, 8.5KPa, 1h
Endurance at 70°C	$\Delta R \leq \pm (5\%R + 0.1\Omega)$	70±2°C, P _R , 1000h

How To Order

Example

RI40	1 / 4	1 / 4W	100KΩ	± 5%	± 500ppm	bag
Type	Style	Power	Nominal Value	Tolerance	TCR	Packaging
RI40	1 / 4 1 / 2 1 2	1 / 4W 1 / 2W 1W 2W	100KΩ	± 5% ± 10%	± 500ppm	tape bag

Packaging: Plastic recloseable bags (moq: 30PCS)