

RXGM high power coated wire-wound resistors



Features

- Small size, easily mounted
- Excellent high temperature load performance
- Noninductive available
- High precision capping connection, resistor body firm reliable
- Imported green or black coating
- Screw available if required

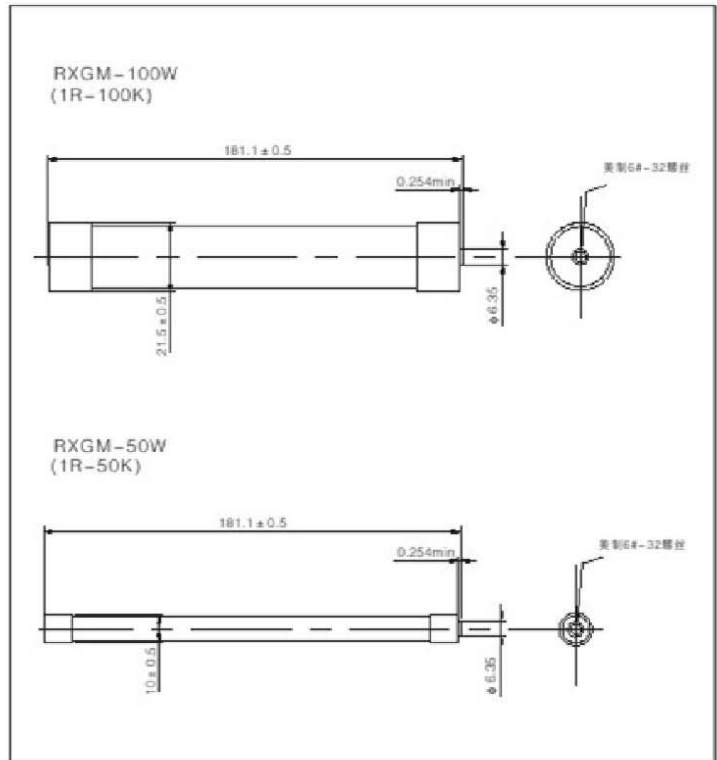
Applications

- Mostly used in large power supply
- Electricity equipment
- Electrical equipment
- Locomotive

Reference Standards

Q/ATK078-2012

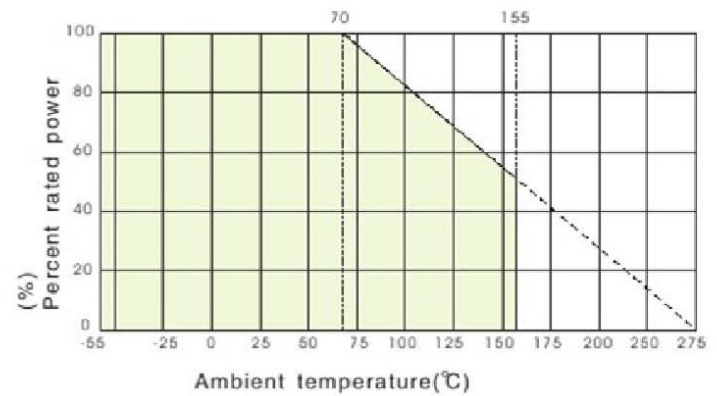
Construction(mm)



Dimensions(mm)

Dimensions as above instruction, other size also available if required

Derating Curve



RXGM high power coated wire-wound resistors



Technical Specifications

Type	Rated Power (W)	TCR(ppm/°C)	Resistance Range	Rating Ambient Temp	Operating Temp Range
			J(±5%)		
RXGM-50W	50	±250	1R—50K	70°C	-55°C/+155°C
RXGM-100W	100		1R—100K		

Please contact us for special requirement about resistance, size and specification

Performance

Test Item	Specifications	Test Methods
Short time overload	$\Delta R \leq \pm(1\%R + 0.05\Omega)$	10P _n , 5S
Leaching	$\Delta R \leq \pm(1\%R + 0.05\Omega)$	350 ± 10°C, 3.5 ± 0.5S
Endurance	$\Delta R \leq \pm(5\%R + 0.1\Omega)$	15°C~35°C, P _n , 1000h
Vibration	$\Delta R \leq \pm(5\%R + 0.1\Omega)$	10Hz~50Hz~10Hz, 2h
Surface temperature rise	≤250°C	P _n

How to Order

Example

RXGM	N	50W	100Ω	±5%	±250ppm	box
Type	Series	Power	Nominal Value	Tolerance	TCR	Packaging
RXGM	N T	50W 100W	100Ω	±2% ±5%	±250ppm	box