

RX20

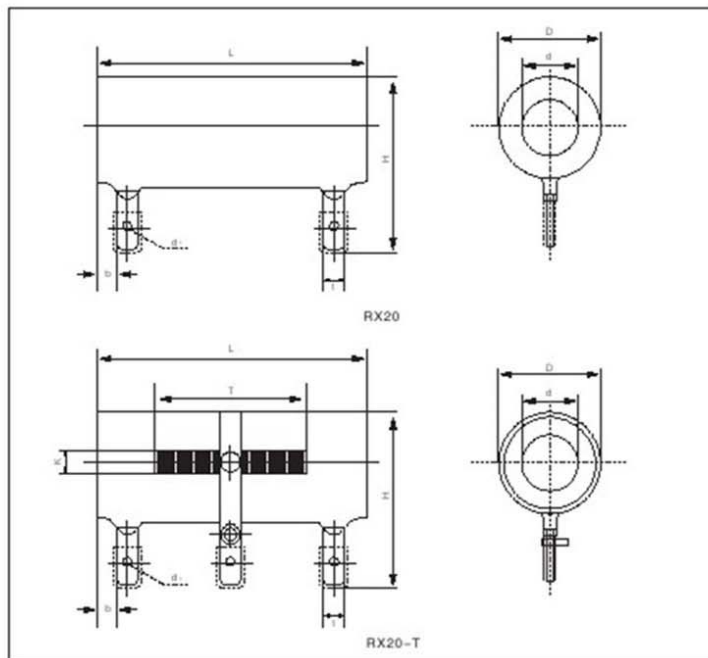
high power vitreous enameled wire-wound resistors



DOUBLE CIRCLE
双环



Construction



Features

- High temperature vitreous enamel as the superficial coating
- Uses the high temperature fireproof alumina porcelain body, full-welded construction
- Excellent high temperature load performance
- T series is adjustable, N series is noninductive
- Assembly and fittings (available)

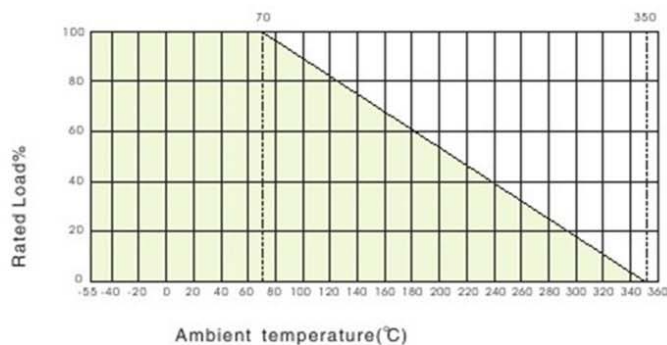
Reference Standards

Q/ATK044-2005

Applications

- Mostly used in large scale power supply electrical equipment, locomotive etc

Derating Curve



How To Order

Example

RX20	T	25W	100Ω	± 5%	± 250ppm	box
Type	Style	Power	Nominal Value	Tolerance	TCR	Packaging
RX20	T N	25W 300W	100Ω	± 0.5% ± 10%	± 250ppm	box

Our factory can also produce 400-5000W non-standard resistors according to the requirement

RX20

high power vitreous enameled wire-wound resistors



■ Dimensions(mm)

Rated Power (W)	Dimensions(mm)								
	L	D	d	H	l	K	b	t	d ₁
2.5	26	13	4	27	/	6+2	3.5	4.5	2
8	35	14	5.5	28.5	/	6+2	3.5	4.5	2
10	41	14	5.5	28.5	20	6+2	3.5	4.5	2
16	45	17	8	32	23	6+2	3.5	4.5	2
20	51	17	8	32	30	6+2	3.5	4.5	2
25	51	21	12	35	30	6+2	3.5	4.5	2
30	71	21	12	35	44	6+2	3.5	4.5	2
40	87	21	12	35	57	6+2	3.5	4.5	2
50	91	29	20	43	60	7+2	4.5	6	3.2
75	140	29	20	43	110	7+2	4.5	6	3.2
100	170	29	20	43	140	7+2	4.5	6	3.2
150	216	29	20	43	185	7+2	4.5	6	3.2
200	267	29	20	43	230	7+2	6	10	5
300	267	34	20	49	230	7+2	6	10	5

■ Technical Specifications

Rated Power (W)	Resistance Range(Ω)		TCR (ppm/°C)	Tolerance	Operating Temp.range
	RX20T	RX20			
2.5	/	5.1~430	± 250	± 5% ± 10%	-55°C~+350°C
8	/	5.1~3.3K			
10	5.1~100	5.1~10K			
16	5.1~150	5.1~15K			
20	5.1~200	20~20K			
25	10~300	10~24K			
30	10~500	10~30K			
40	20~600	20~51K			
50	20~1K	20~51K			
75	20~1.5K	24~56K			
100	24~2K	24~62K			
150	27~3K	27~100K			
200	27~5K	27~110K			
300	30~6K	30~120K			