

RXGP

stainless steel shell encased wire-wound resistors



Features

- Small size, easily mounted
- Excellent high temperature load performance
- High voltage available, good power load performance
- Use excellent mica segment as frame work, 304 stainless steel shell covered whole resistor element
- Imported material sealed, excellent insulation

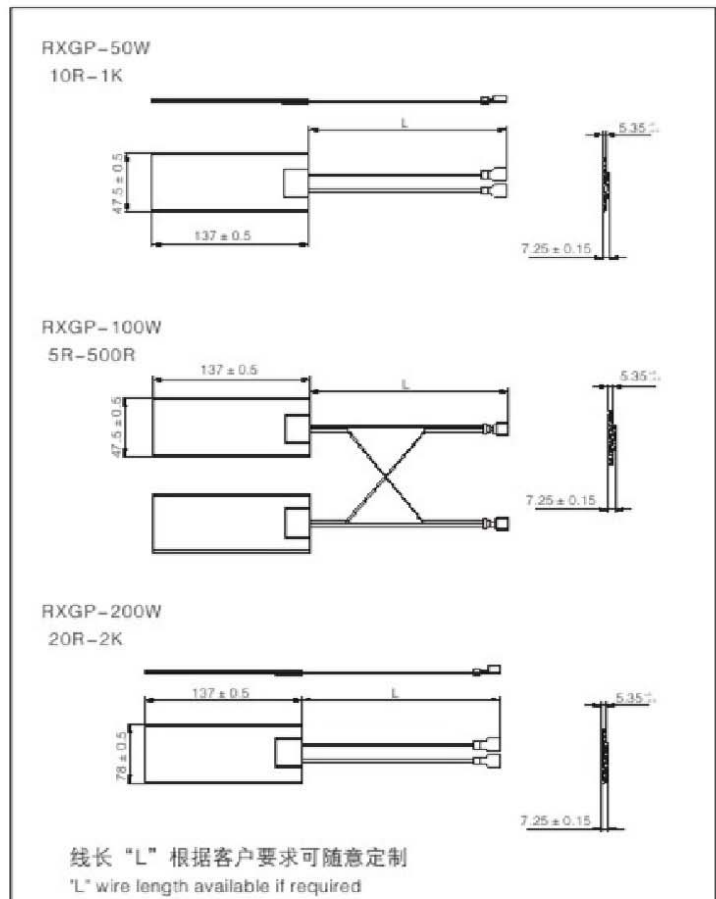
Applications

- Mostly used in all kinds of frequency inverter, power supply equipment, experiment circuit etc.
- Safty and reliability in high temperature and humidity.

Reference Standards

Q/ATK079-2012

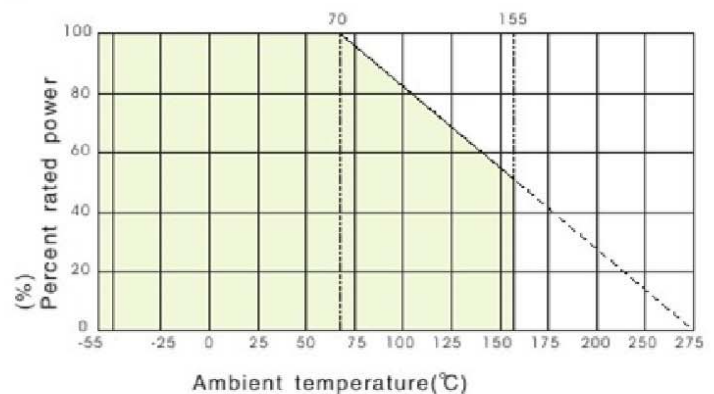
Construction(mm)



Dimensions(mm)

Dimensions as above instruction, other size also available if required

Derating Curve



RXGP

stainless steel shell encased wire-wound resistors



Technical Specifications

Type	Rated Power (W)	TCR(ppm/°C)	Resistance Range	Rating Ambient Temp	Operating Temp Range
			J(±5%)		
RXGP-50W	50	±250	10R~1K	70°C	-55°C/+155°C
RXGP-100W	100		5R~500R		
RXGP-200W	200		20R~2K		

Please contact us for special requirement about resistance, size and specification

Performance

Test Item	Specifications	Test Methods
Short time overload	$\Delta R \leq \pm(1\%R + 0.05\Omega)$	10P _n , 5S
Leaching	$\Delta R \leq \pm(1\%R + 0.05\Omega)$	350 ± 10°C, 3.5 ± 0.5S
Endurance	$\Delta R \leq \pm(5\%R + 0.1\Omega)$	15°C~35°C, P _n , 1000h
Vibration	$\Delta R \leq \pm(5\%R + 0.1\Omega)$	10Hz~50Hz~10Hz, 2h
Surface temperature rise	≤250°C	P _n
Hipot	No electric breakdown or arcover	3000VAC, 2mA, 1min

How to Order

Example

