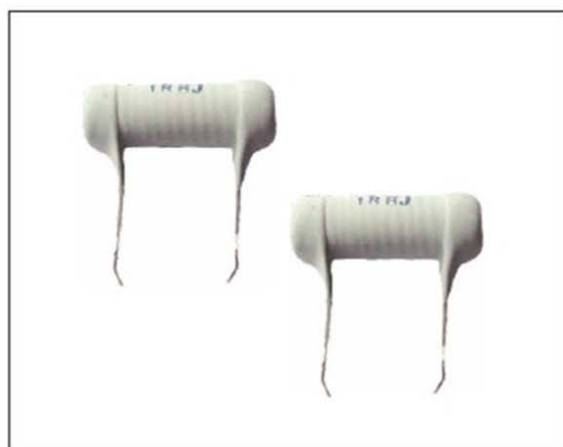
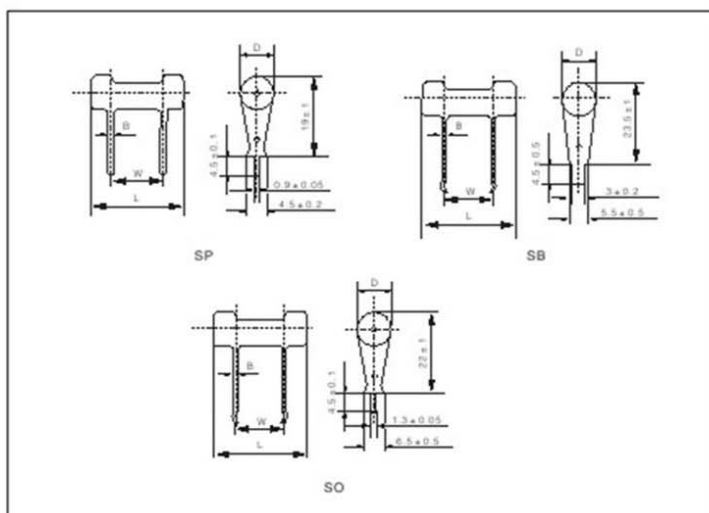


RX25 power coated wire-wound resistors



Construction(mm)



Features

- Low noise
- Excellent linearity
- High temperature resistant
- High load power
- Grey flame-retardant coating
- Excellent power load characteristic

Dimensions(mm)

Type	Dimensions(mm)				适用外形
	L	D	W	B	
RX25-3W	21.6	7.5	12.5±0.5	0.5±0.1	SP
RX25-5W(6W)	26.5	9.5	15.0±0.5	0.5±0.1	SB、SO
RX25-7W(8W)	41.5	9.5	30.0±1.0	0.5±0.1	SB、SO
RX25-10W	54.5	9.5	42.5±1.0	0.5±0.1	SB、SO

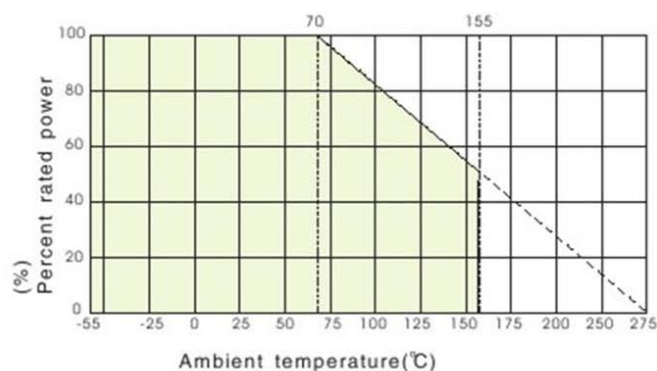
Applications

- Used in electrical instruments equipments
- Household appliance of color TV, audio and etc

Reference Standards

SJ2861-88

Derating Curve



RX25 power coated wire-wound resistors



Technical Specifications

Type	Rated Power	TCR(ppm/°C)	Resistance Range		Rating Ambient Temp	Operating Temp Range
			F(±2%)	J(±5%)		
RX25	3W	$\geq 10\Omega$ 250PPm $5\Omega \leq R < 10\Omega$ 500PPm $< 5\Omega$ 不要求	1Ω~2.2KΩ	1Ω~3.3KΩ	70°C	-55°C~155°C
RX25	5W(6W)		1Ω~2.7KΩ	1Ω~4.7KΩ		
RX25	7W(8W)		1Ω~4.7KΩ	1Ω~10KΩ		
Rx25	10W		1Ω~10KΩ	1Ω~22KΩ		

Custom products on resistance, size also available if required.

Performance

Test Item	Specifications	Test Methods
Short time overload	$\Delta R \leq \pm(1\%R+0.05\Omega)$	10P _n , 5S
Rapid change of temperature	$\Delta R \leq \pm(1\%R+0.05\Omega)$	-55°C/275°C, 30min, 5cycles
Leaching	$\Delta R \leq \pm(1\%R+0.05\Omega)$	350±10°C, 3.5±0.5S
Climatic category	$\Delta R \leq \pm(5\%R+0.1\Omega)$	125°C, 16h/ 55°C, RH93±3%, 24h/ -55°C, 2h/15~35°C, 8.5kPa, 1h
Endurance at 70°C	$\Delta R \leq \pm(5\%R+0.1\Omega)$	70±2°C, P _n , 1000h

How To Order

Example

RX25	3W	10Ω	±5%	±250ppm	box
Type	Power	Nominal Value	Tolerance	TCR	Packaging
RX25	3W 5W 6W 8W 10W	10Ω	±2% ±5%	±250ppm ±500ppm	box