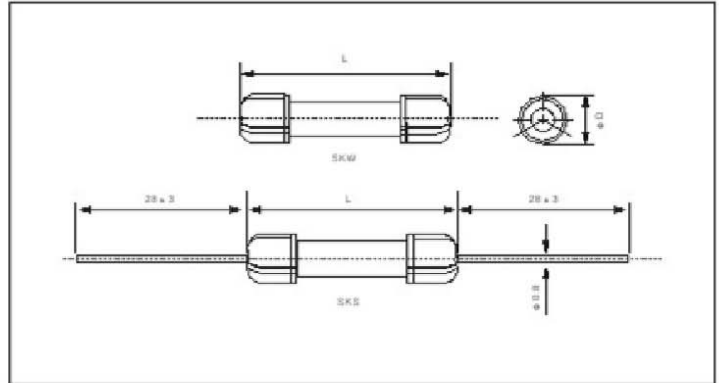


# RX92 anti-interference wire-wound resistors



## Construction(mm)



## Features

- High resistance value
- High reliability

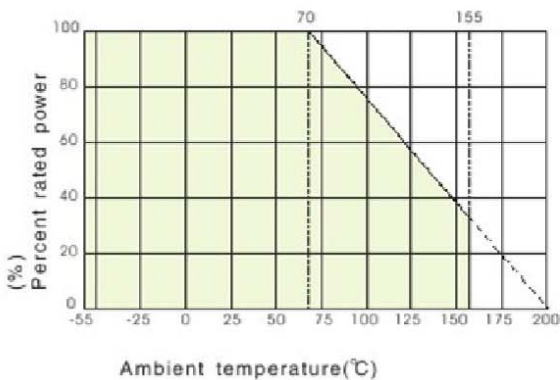
## Applications

- Mostly used in automobile ignition devices

## Reference Standards

Q/ATK072

## Derating Curve



## Dimensions(mm)

Type	Dimensions(mm)	
	L	φD
RX92-1	16 ± 0.1	3.75 ± 0.1
RX92-2	17.45 ± 0.1 ( 17 ± $\begin{smallmatrix} 0.5 \\ 0.2 \end{smallmatrix}$ )	3.75 ± 0.1
RX92-3	22 ± 0.1	4.5 ± 0.1
RX92-4	28 ± 0.1	4 ± 0.1

Leadless style or Leaded style

# RX92 anti-interference wire-wound resistors



## Technical Specifications

Type	Rated Power (W)	Resistance Range	Tolerance	TRC (ppm/°C)
RX92-1	1.0	1K0~5K0	± 10%	250
RX92-2	2.0			
RX92-3	3.0			
RX92-4	4.0			

## Performance

Test Item	Specifications	Test Methods
Short time overload	$\Delta R \leq \pm(1\%R+0.05\Omega)$	10P <sub>1</sub> , 5S
Load life	$\Delta R \leq \pm(5\%R+0.1\Omega)$	70°C, P <sub>1</sub> , 1000h
Terminal tensile strength	$\Delta R \leq \pm(1\%R+0.05\Omega)$	5kg, 30S

## How To Order

Example

RX92	1	1W	5K0	± 10%	± 250ppm	box
Type	Style	Power	Nominal Value	Tolerance	TCR	Packaging
RX92	1 2 3 4	1W	5K0	± 10%	± 250ppm	box

## Tolerance and Code

Tolerance	Code
± 0.01	L
± 0.02	P
± 0.05	W
± 0.1	B
± 0.25	C
± 0.5	D

Tolerance	Code
± 1	F
± 2	G
± 5	J
± 10	K
± 20	M