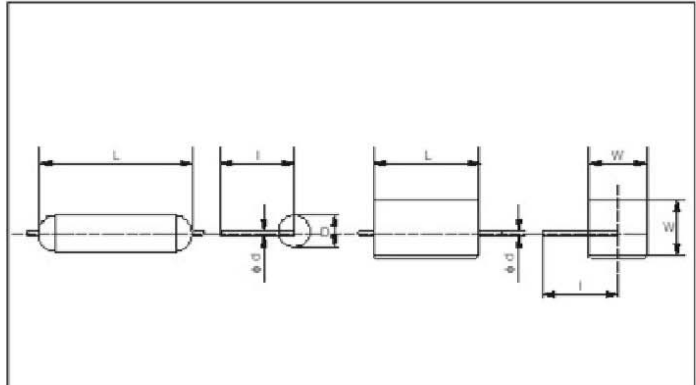


RF11 ceramic thin film fuse resistors



Construction



Features

- Flame-proof, ceramic encased
- Low temperature rise, high reliability
- Character marking
- Bulk or lead forming available

Dimensions(mm)

Type	Lmax	Dmax	Wmax	l	d
RF11-0.5W	16.0	6.3	-	25 ± 2	0.6 ± 0.05
RF11-1W	14.5	-	6.5		0.6 ± 0.05
RF11-2W	19.0	-	7.4		0.8 ± 0.05
RF11-3W	23.0	-	10.5		0.8 ± 0.05

Note: Special requirement on enhanced power with small size also available type: RF10(r)

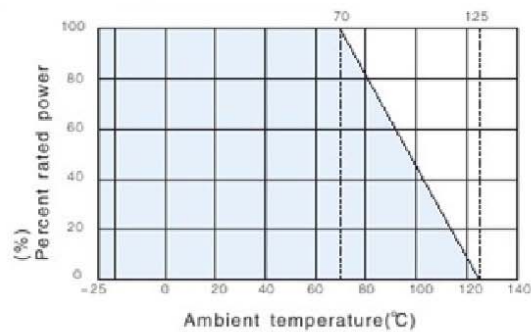
Applications

- Mostly used in colour TV
- Household appliances

Reference Standards

SJ2866-88

Derating Curve



Technical Specifications

Type	Rated Power	TCR PPM/°C	Maximum open voltage	Insulate voltage	(Ω) Resistance Range	Rating Ambient Temp	Operating Temp Range
RF11-0.5W	0.5W	± 350	200V	1000V	0.33~1.5K	+70°C	-25°C~+125°C
RF11-1W	1W	± 350	200V		0.33~1.5K		
RF11-2W	2W	± 350	300V		0.33~1K		
RF11-3W	3W	± 350	300V		0.33~3.3K		

RF11 ceramic thin film fuse resistors



Performance

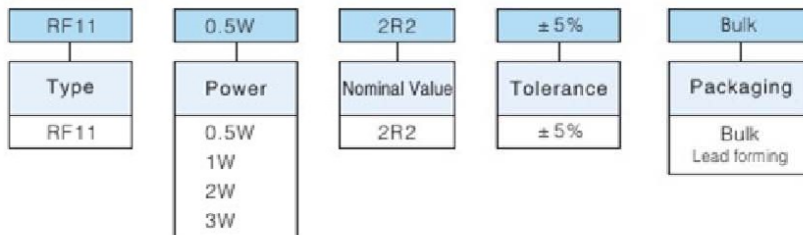
Test Item	Specifications	Test Methods
Rapid change of temperature	$\Delta R \leq \pm(1\%R+0.05\Omega)$	-25°C/125°C, 30min 5cycles
Overload	$\Delta R \leq \pm(1\%R+0.05\Omega)$	2.5V _R , 5S
Pulse overload	$\Delta R \leq \pm(2\%R+0.05\Omega)$	2.5V _{R(AC)} IS(ON), 25S(OFF), 10kcycles
Leaching	$\Delta R \leq \pm(1\%R+0.05\Omega)$	350±10°C, 3.5±0.5S
Vibration	$\Delta R \leq \pm(1\%R+0.05\Omega)$	10-500Hz, 98m/s ² , 6h
Climatic category	$\Delta R \leq \pm(5\%R+0.1\Omega)$	125°C, 16h/55°C, RH 93±3%, 24h/ -25°C, 2h/8.5kpa, 15-35°C, 1h
Endurance at 70°C	$\Delta R \leq \pm(5\%R+0.1\Omega)$	70±2°C, P _R , 1000h
Dampheat, steady state	$\Delta R \leq \pm(5\%R+0.1\Omega)$	40°C, RH93±3%, 21d

Fusing Characteristics

Magnification of power rating	Resistance Range(Ω)		
	< 2	2-10	> 10
	Fusing Time(max)		
12	-	120	60
16	90	45	30
25	30	20	15

How To Order

Example



Note: Special fusing time based on customer requirement.